

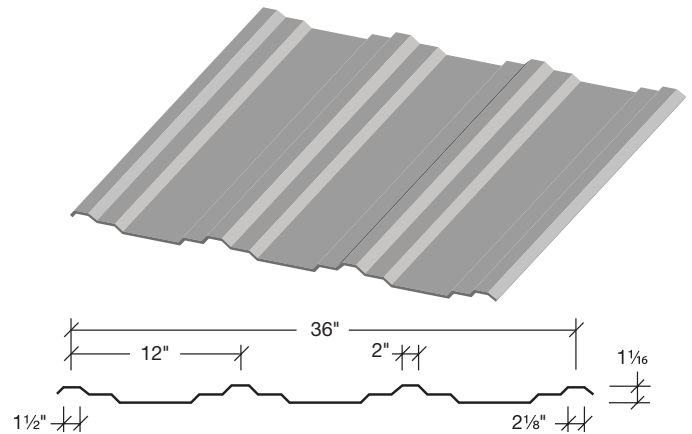
The Retro-R® Panel is an excellent choice for builders looking to prolong the life of their building. Retro-R® panels allow the existing R-panel roof or wall to stay in place, which saves on labor costs while minimizing the chance for water entry into the building during the roofing process and provides for a safer work environment. The Retro-R® panel has rib spacing 12" on center with a rib height of 1 1/16". The existing lap screws must be removed from the R-panel roof before the Retro-R® panels are installed. The screws that attach the existing R-panels to the purlins do not have to be removed. The Retro-R® panels are attached with special shoulder screws that fasten through the existing R-panel major ribs and into the existing purlins. Once the Retro-R® panels are installed, new lap screws are installed through the Retro-R® ribs and the existing R panel sidelaps.

## Product Specifications

- Applications:** Roof and Wall
- Coverage Widths:** 36"
- Rib Spacing:** 12" on center
- Rib Height:** 1 1/16"
- Minimum Slope:** 1/2: 12
- Panel Attachment:** Exposed Fastening System
- Gauges:** 26 and 29 (standard)
- Finishes:** Smooth (standard); Embossed (optional)
- Coatings:** Galvalume Plus®, Signature® 200

## Features and Benefits

- Saves time and labor
- No tear-off needed
- Lightweight
- Drip Stop backer, protects panel from scratching and acts as vapor barrier
- Durable, baked-on paint finish
- Wide variety of Cool Metal colors brochure
- Premium Paint Warranty – 40Yr. Film Integrity



CATEGORY	CHARACTERISTIC	TEST METHOD	PURPOSE	RESULT
<b>STRUCTURAL</b>	Negative Wind Loads	AISI S100	North American Specification for the Design of Cold-Formed Steel Structural Members	See Section Properties and Allowable Load Table Section
	Gravity Loads	AISI S100	North American Specification for the Design of Cold-Formed Steel Structural Members	See Section Properties and Allowable Load Table Section
<b>ROOF LISTINGS</b>	Roof Performance - Florida Approval	ASTM E 1592	Florida product approval is the approval of products and systems which comprise the building envelope and structural frame, for compliance with the structural requirements of the Florida Building Code.	See FL#21121.1



For a complete line of trim and accessories, please refer to our Trim and Accessories catalog.

[abcmetalroofing.com](http://abcmetalroofing.com) | [shop.abcmetalroofing.com](http://shop.abcmetalroofing.com)

Adel, GA 800.877.8709	Lubbock, TX 800.481.3035	Memphis, TN 800.877.8709	Frankfort, KY 800.877.8709	Oklahoma City, OK 800.345.0044	Mt. Pleasant, IA 800.345.0044	Phoenix, AZ 800.481.3035	Salt Lake City, UT 800.481.3035
--------------------------	-----------------------------	-----------------------------	-------------------------------	-----------------------------------	----------------------------------	-----------------------------	------------------------------------

Descriptions and specifications contained herein were in effect at the time this publication was approved for printing. In a continuing effort to refine and improve products, American Building Components reserves the right to discontinue products at any time or change specifications and/or designs without incurring obligation. To ensure you have the latest information available, please inquire or visit our website at [www.abcmetalroofing.com](http://www.abcmetalroofing.com)