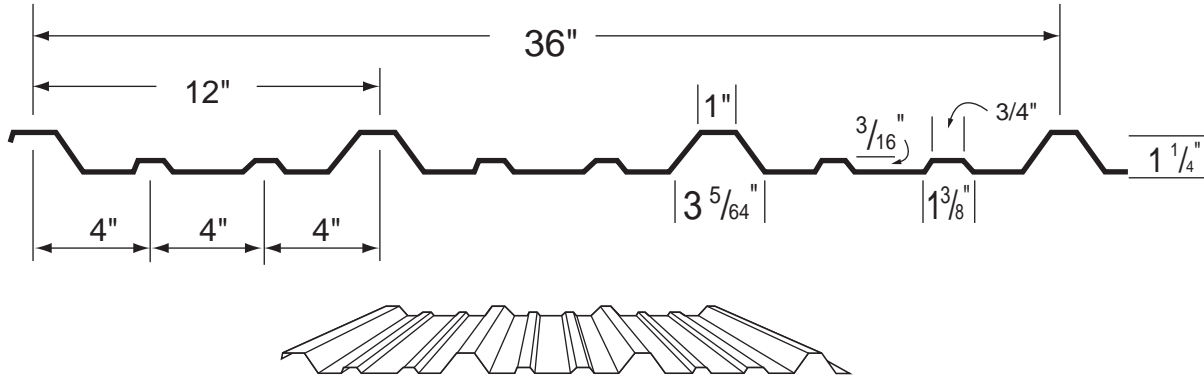


## 26 GAUGE "PBR" PANEL INFORMATION

# "PBR" PANEL



SECTION PROPERTIES								
PANEL GAUGE	F <sub>y</sub> (KSI)	WEIGHT (PSF)	TOP FLAT IN COMPRESSION			BOTTOM FLAT IN COMPRESSION		
			I <sub>x</sub> (in. <sup>4</sup> /ft.)	S <sub>x</sub> (in. <sup>3</sup> /ft.)	M <sub>a</sub> (in. Kip)	I <sub>x</sub> (in. <sup>4</sup> /ft.)	S <sub>x</sub> (in. <sup>3</sup> /ft.)	M <sub>a</sub> (in. Kip)
26	80.0	0.94	0.0423	0.0388	1.3928	0.0390	0.0437	1.5698

### NOTES

1. All calculations for the properties of panels are calculated in accordance with the 1986 edition of Specifications for the Design of Light Gauge Cold Formed Steel Structural Members - published by the American Iron and Steel Institute (A.I.S.I.)
2. I<sub>x</sub> is for deflection determination.
3. S<sub>x</sub> is for bending.
4. M<sub>a</sub> is allowable bending moment.
5. All values are for one foot of panel width.

ALLOWABLE UNIFORM LIVE LOADS IN POUNDS PER SQUARE FOOT								
SPAN TYPE	LOAD TYPE	26 GAUGE (F <sub>y</sub> = 80 KSI)						
		SPAN IN FEET						
		3.0	4.0	5.0	6.0	7.0	8.0	
SIMPLE	NEGATIVE WIND LOAD	155.0	87.2	55.8	38.8	28.5	21.8	
	LIVE LOAD/DEFLECTION	102.7	43.3	22.2	12.8	8.1	5.4	
2-SPAN	NEGATIVE WIND LOAD	137.6	77.4	49.5	34.4	25.3	19.3	
	LIVE LOAD/DEFLECTION	116.3	65.4	41.9	28.5	18.0	12.0	
3-SPAN	NEGATIVE WIND LOAD	172.0	96.7	61.9	43.0	31.6	24.2	
	LIVE LOAD/DEFLECTION	145.4	75.4	38.6	22.3	14.1	9.4	
4-SPAN OR MORE	NEGATIVE WIND LOAD	160.6	90.3	57.8	40.1	29.5	22.6	
	LIVE LOAD/DEFLECTION	135.7	76.3	41.0	23.7	14.9	10.0	

### NOTES

1. Allowable loads are based on uniform span lengths and F<sub>y</sub> of 80 KSI for 26 gauge.
2. LL is allowable live load.
3. WL is allowable wind load and has been increased by 33.333%.
4. Deflection loads are limited by a maximum deflection ratio of L/240 of span or maximum bending stress to live load.
5. Weight of the panels has not been deducted from allowable loads.
6. Load table values do not address web crippling requirements or connection of panel to substrate.
7. Minimum bearing length of 1.5" required.